

GigaCaster DMB (DAB, DAB+, DMB, T-DMB)

ETI over IP Gateway

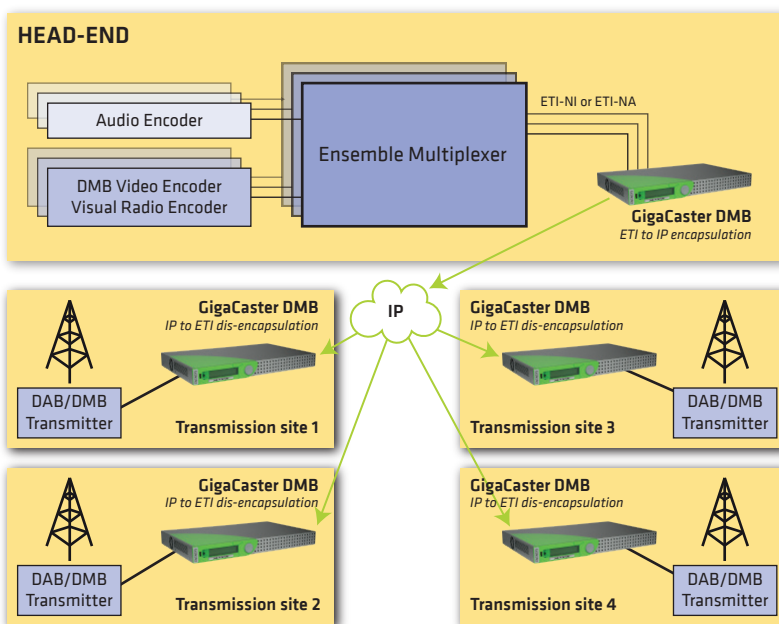


GigaCaster DMB gateways provide a cost effective, flexible and highly reliable solution for transporting DAB, DAB+, DMB or T-DMB content over IP networks.

GigaCaster DMB gateways can handle up to 4x streams in both ETI to IP or IP to ETI directions.

GigaCaster DMB gateways are compliant with World DMB EDI standard (Encapsulation of DAB Interfaces).

GigaCaster DMB gateways provide advanced network jitter removal (patent pending) and error correction thus allowing the preservation of Single Frequency Networks (SFN).



DAB/DMB distribution over IP, from head-End to transmission sites

Applications

- Distribution to transmitters
- Contribution (point to point)
- Head-End & sites interconnection

Benefits

- Lower CAPEX & OPEX
- Reduce bandwidth (stuffing removal)
- GPS free solution (no 10 MHz, 1 PPS needed)
- Easy integration in NMS (full SNMP support)
- Carrier grade, 24/7 operation
- Rich & user friendly user interface

Characteristics

- Up to 4x ETI interfaces + 4x mirrors
- Separate control & data network interfaces
- Advanced network jitter removal
- Internal clock drift correction without GPS
- Forward Error Correction (FEC, RS based)
- Real-time statistics & monitoring
- Uni or Multicast support (IGMP v2/v3)
- UDP/DCP support
- VLANs support
- Embedded HTTP server
- Fault relay alarm
- SNMP Trap, Get & Set
- Fully configurable through NMS

Options

- Dual power supply (110-220V or 48V)
- ETI input monitoring



GigaCaster DMB (DAB, DAB+, DMB, T-DMB)

ETI over IP Gateway

Interface

Format	ETI
Number of interfaces	4x main ETI interfaces + 4x mirrors
Connectors	BNC (75Ω)

Processing

Number of streams	Up to 4x simultaneous streams
Assets	Stuffing removal Forward Error Correction (RS) Low bandwidth requirements Advanced network jitter removal SFN preservation (SFN over IP)
Settings	RS code strength ETI output (ETI-NI or ETI-NAs)

Control & management

Type	10/100bT
Web	Rich client interface with live statistics & monitoring
Front Panel	Key settings
Supervision	Full SNMP v2 support Fully configurable through NMS (Get, Set and Trap) MIB files available on request

Network interface

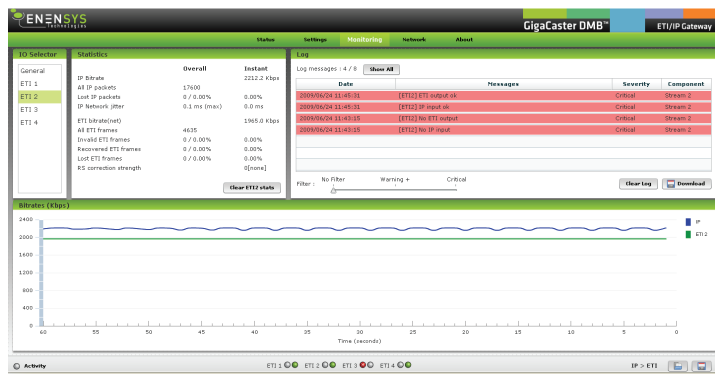
10/100bT	1x control interface
10/100/1000bT	1x data interface
Connectors	RJ45
Protocols	UDP/DCP, IGMP, ARP, SNMP

Physical

Height	43 mm / 1.7 in
Width	440 mm / 17,3 in
Depth	263 mm / 10.4 in
Weight	3.5 kg / 7,7 lb
Format	1 RU, full 19"
Power supply	90-240V or 48V
Power consumption	<40 W

Environment

Operating temperature	0 to 65°C / 32 to 149 °F
Storage temperature	-20°C to 70°C / -4°F to 158°F
Humidity	0 to 95%, non condensing



Enensys Technologies
 Le Germanium
 80, Avenue des Buttes de Coesmes
 35700 Rennes
 France
 Tel (+33) 810 ENENSYS
 (+33) 810 36 36 79
 Fax (+33) 2 99 36 03 84
 sales@enensys.com