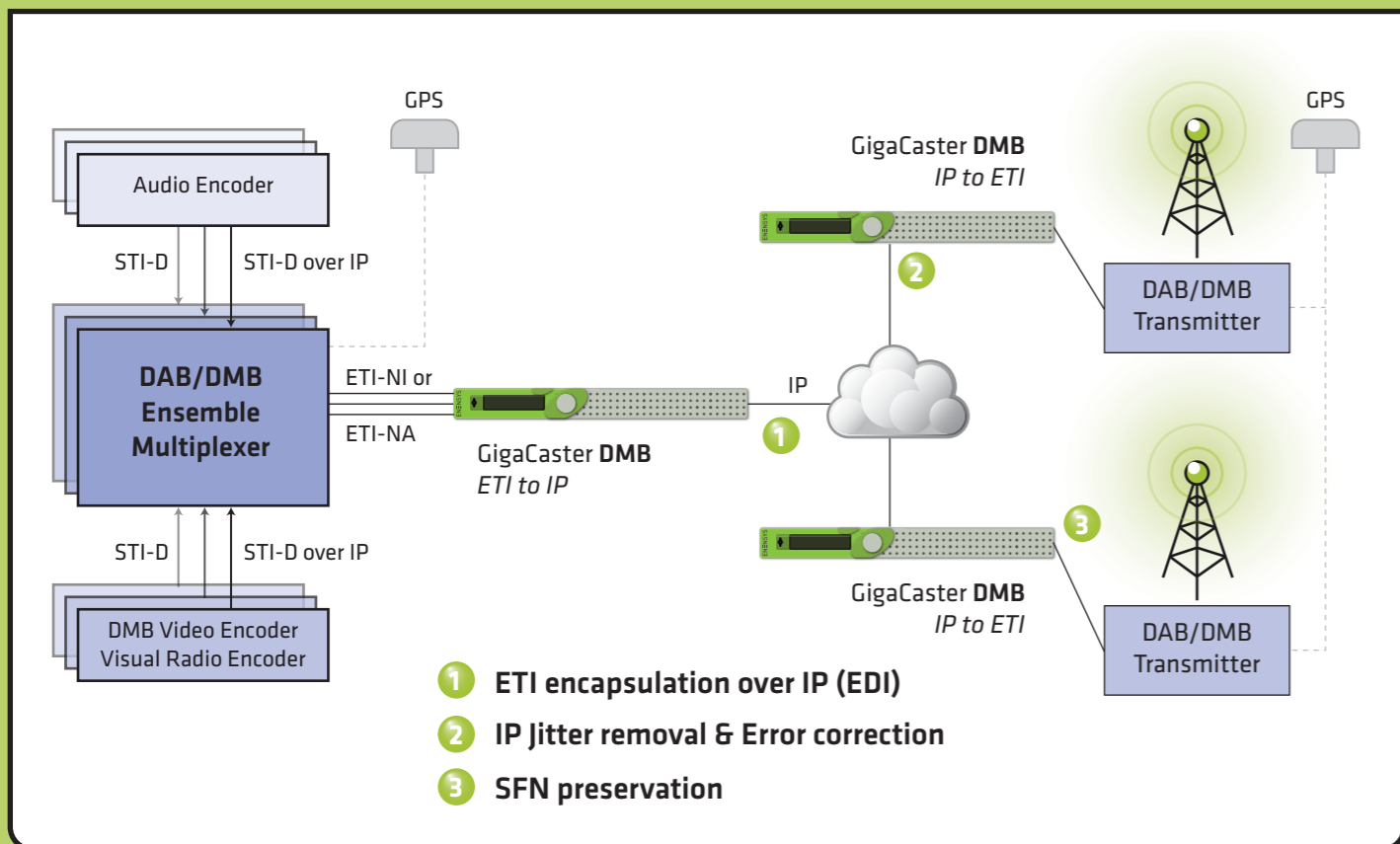
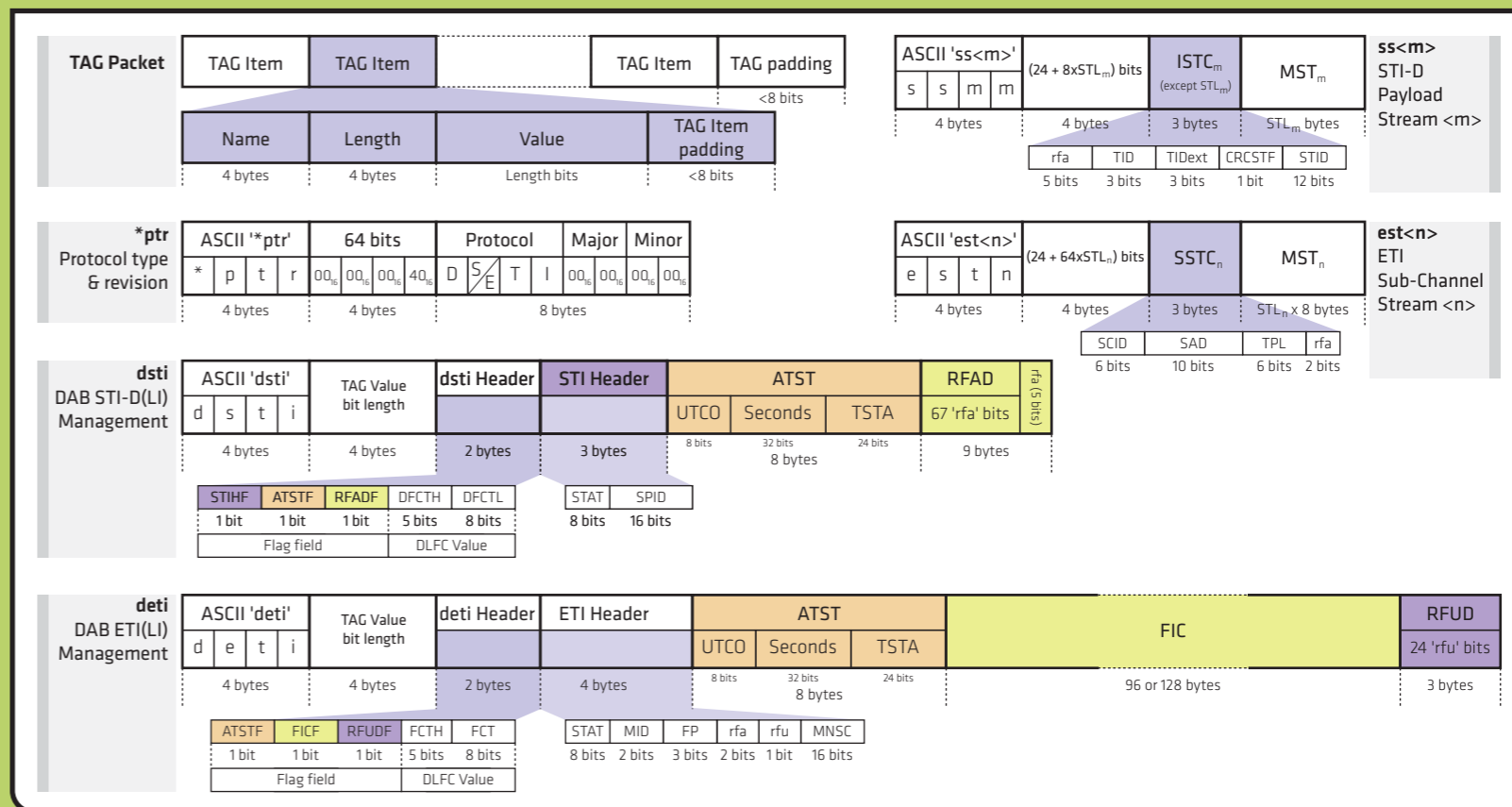


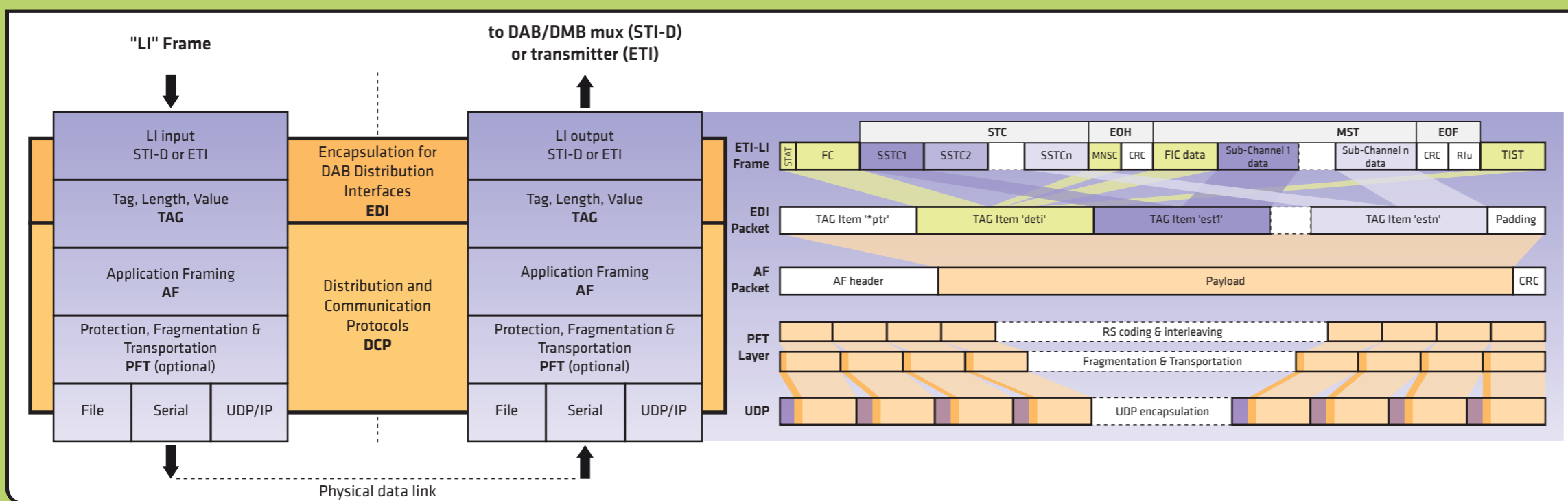
## DAB/DMB content distribution over IP



## TAG Packet & TAG Items



## Encapsulation of DAB Interfaces - EDI standard



## ETI(NA, G.704) Capacity

**ETI(NA, G.704) capacity per 24 ms**

DAB mode	Capacity Type	ETI(NA, G.704) 5592		ETI(NA, G.704) 5376	
I, II, IV	Fixed	112 bytes max.	37.33 kbit/s	112 bytes max.	37.33 kbit/s
	Variable	5 480 bytes max.	1 826.67 kbit/s	5 264 bytes max.	1 754.67 kbit/s
III	Fixed	144 bytes max.	48.00 kbit/s	144 bytes max.	48.00 kbit/s
	Variable	5 448 bytes max.	1 816.00 kbit/s	5 232 bytes max.	1 744.00 kbit/s

**Number of equal sized sub-channels which may be carried by ETI(NA, G.704)**

DAB MODE I, II, IV									
ETI(NA, G.704) 5592					ETI(NA, G.704) 5376				
Sub-Channel data rate	Number of Sub-Channels	LIDATA MST bytes	MST bytes	Frame Padding bytes	Number of Sub-Channels	LIDATA MST bytes	MST bytes	Frame Padding bytes	
256 kbit/s	7	44	5472	76	6	40	4704	632	
224 kbit/s	8	48	5472	72	7	44	4800	532	
192 kbit/s	9	52	5280	260	9	52	5280	44	
128 kbit/s	14	72	5472	48	13	68	5088	220	
64 kbit/s	27	124	5280	188	26	120	5088	168	
32 kbit/s	54	232	5280	80	52	224	5088	64	

DAB MODE III									
ETI(NA, G.704) 5592					ETI(NA, G.704) 5376				
Sub-Channel data rate	Number of Sub-Channels	LIDATA MST bytes	MST bytes	Frame Padding bytes	Number of Sub-Channels	LIDATA MST bytes	MST bytes	Frame Padding bytes	
256 kbit/s	7	44	5504	44	6	40	4736	600	
224 kbit/s	8	48	5504	40	7	44	4832	500	
192 kbit/s	9	52	5312	228	9	52	5332	12	
128 kbit/s	14	72	5504	16	13	68	5120	188	
64 kbit/s	27	124	5312	156	26	120	5120	136	
32 kbit/s	54	232	5312	48	52	224	5120	32	